

APPLICATIONS

KWT Penstocks are available in various forms and are used in surface, sewage and process water systems. The KLSA is designed for isolation inline with a pipe system.

OPERATION

As well as the well-known KSA range (including the low pressure Penstock KSA-LD (3 MWC), the medium pressure Penstock KSA-MD (5 MWC) and the high pressure Penstock the KSA-HD (10 MWC)), KWT supply an inline penstock known as the KLSA.

This inline penstock is as-standard on/off seated and has been produced to be used in a pipeline system. The operating pressure of a maximum of 10 MWC is guaranteed as the penstock is tested to 20 MWC. This penstock can be operated manually or with an actuator.

The penstock is available as a P-model suitable for PVC (polyvinyl chloride) and HDPE (high-density polyethylene) pipe connection and as an F-model with a PN10 flange connection as standard.

The KLSA is suitable for installation in aggressive media due to the material used. The HDPE and SS316L materials have a very high chemical resistance. The HDPE housing has been strengthened with SS316L and is suitable to be used both above the surface and underground.

BENEFITS

- Virtually maintenance free.
- Easy to install.
- Lightweight yet robust construction.
- Can be used underground or aboveground.
- Various operation accessories available.
- UV and Impact resistant.

Supplied by
ACE AQUATIC CONTROL ENGINEERING LTD
HALL FARM, MAIN STREET, RAMPTON, NOTTS,
DN22 0HR.
PHONE 01777 249080, FAX 01777 249069
WWW.AQUATICCONTROL.CO.UK
EMAIL: INFO@AQUATICCONTROL.CO.UK



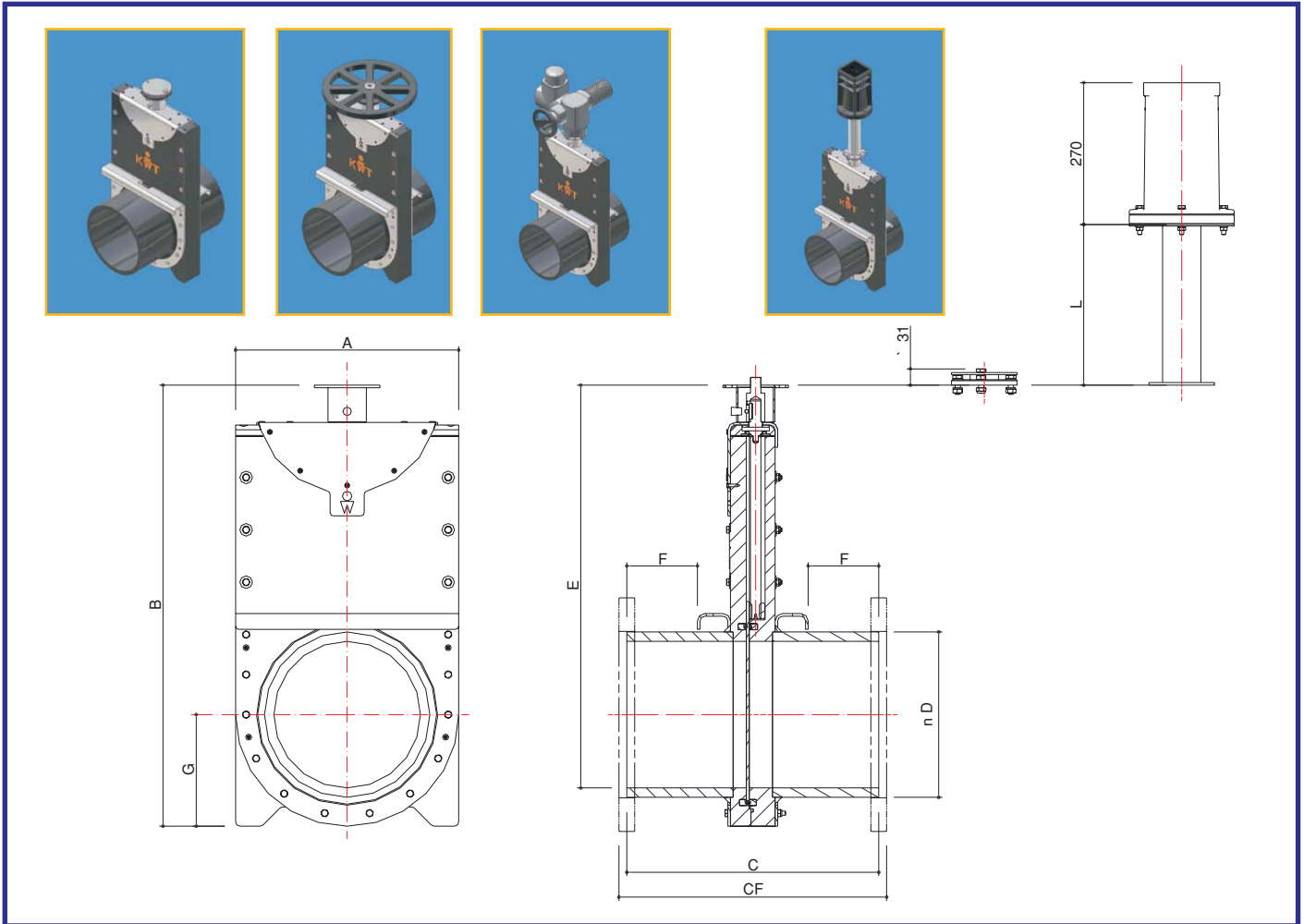
SPECIFICATIONS




Pipe Diameter:	Ø 100 mm to Ø 500 mm
Operating pressure:	10 MWC on/off seating as standard
Operation method:	Manual or actuated
Operation point:	KWT connection ("half moon")
Movement mechanism:	Non-rising spindle

MATERIALS

Moving plate:	SS316L
Spindle:	SS316
Spindle block:	POM
Bearing ring:	OLG
House:	HDPE
Seals:	EPDM

Other materials on request.



NW mm.	D mm.	A mm.	B mm.	C mm.	CF mm.	E mm.	F mm.	G mm.		 Nm.	 Kg
100	110	220	442	380	400	380	84	110	20	30	14
125	125	235	471	400	420	409	94	117,5	22	30	15
150	160	270	539	440	460	475	114	135	28	30	19
200	200	310	617	440	470	550	114	155	34	30	24
250	250	360	714	470	500	645	130	180	42	30	32
300	315	425	840	480	510	767	132	212,5	52	30	43
400	400	510	1005	610	640	927	199	255	65	30	64
500	500	610	1200	640	670	1117	214	305	83	30	90

Product Overview

Inline penstock, type KLSA-R - P or F

Manufactured by: KWT Waterbeheersing
 Materials: HDPE, SS316, OLG, EPDM and POM
 Standard Culvert: Ø 100 mm to Ø 500 mm
 Working pressure: 10 MWC Penstock, On/off seating.



The penstock is of the "guillotine" type and made of SS316L. The housing is produced in HDPE and sufficiently strengthened with SS316L to resist internal liquid pressures and/or any external ground pressures. The penstock is tested to a pressure of 20 MWC and is rated at 10MwC as standard. The EPDM seals and the OLG bearing are integral parts of the KLSA housing. The SS 316 spindle is of the non-rising type. All stainless steel used in the construction is of grade 316L.