



KOAS Penstocks

VERSATILE | LOW OPERATING TORQUE | LOW MAINTENANCE



ROBUST ISOLATION – lowers to form a tight seal on 3 sides offering reliable isolation of a channel. Ideal for sewage and surface water systems.

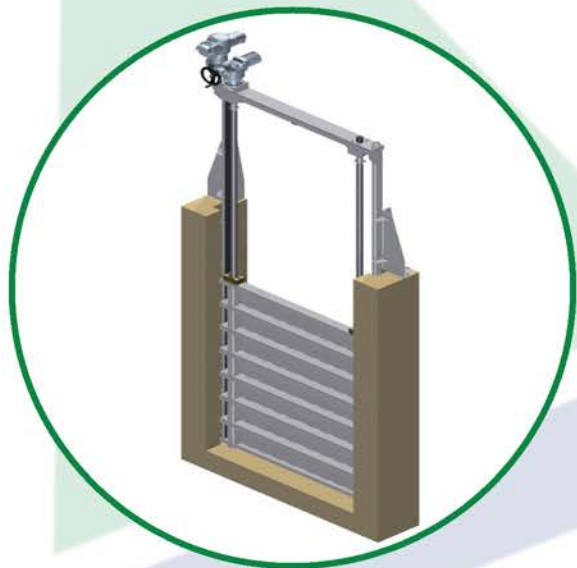
QUICK INSTALLATION – Lightweight material combination, no grouting required due to EPDM seal technology.

LOW MAINTENANCE – No lubrication required. Zero chance of materials seizing. No requirement for protective coatings.

SPECIAL REQUIREMENTS – Various sizes, rising/non rising spindles, electric and hydraulic actuation and alternative mounting methods all available.



The KOAS weir penstock is a modern alternative to traditional sluice structures, using high grade materials and techniques to create a product for today's market. The KOAS can be used in surface water, sewage and potable water, and can be used in a variety of ways.



The KOAS weir penstock has a pre-determined weir plate height, which when closed can act as a weir to pen water upstream. It can also be used for isolation of channels in process applications to allow access for maintenance of equipment, or alternatively to control flows through the channel.

Contents are accurate at the time of production, however are for illustration only. For critical technical information, please contact ACE for assistance.

Aquatic Control Engineering Ltd

www.aquaticcontrol.co.uk
info@aquaticcontrol.co.uk
01777 249 080
V1.1

Aquatic Control Engineering have been market leaders of innovative water flow control for 20 years. Using high spec HDPE products from KWT in Holland, we are proud to supply our customers with high quality innovative solutions and high standard installation services.



KOAS Penstocks

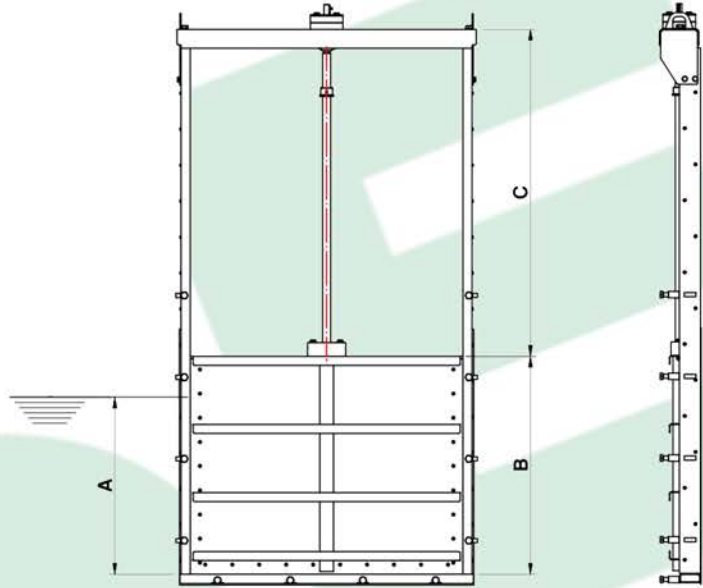
VERSATILE | LOW OPERATING TORQUE | LOW MAINTENANCE

KOAS I

Single spindle
up to 1200mm width

Materials

- Weir plate: SS316L
- Frame: SS316L with HDPE guiding strips
- Sealing: EPDM
- Spindle block: Phosphor Bronze
- Other sizes and configurations available on request

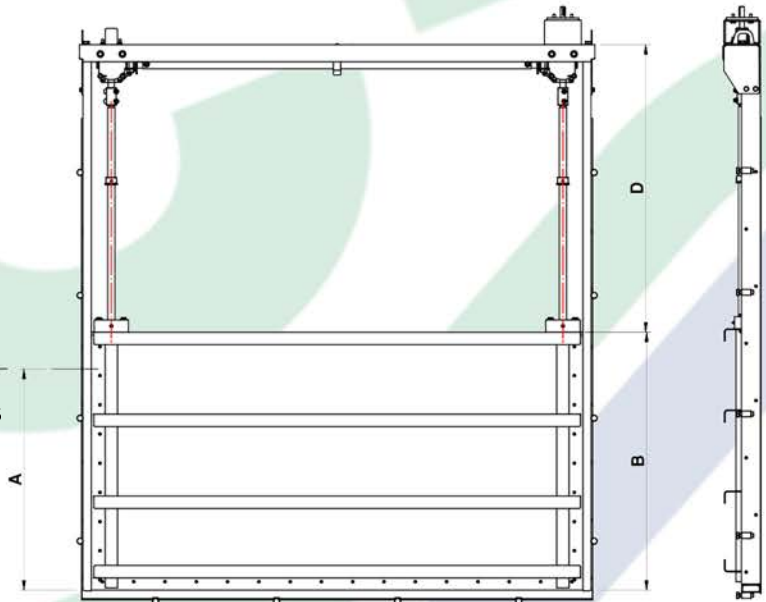


KOAS II

Double spindle
over 1200mm width

Materials

- Weir plate: SS316L
- Frame: SS316L with HDPE guiding strips
- Sealing: EPDM
- Spindle block: Phosphor Bronze
- Other sizes and configurations available on request



A mm	B mm (min)	C mm (min)	D mm (min)
400	400	530	700
500	500	630	800
600	600	730	900
700	700	830	1000
800	800	930	1100
900	900	1030	1200

A mm	B mm (min)	C mm (min)	D mm (min)
1000	1000	1130	1300
1100	1100	1230	1400
1200	1200	1330	1500
1300	1300	1430	1600
1400	1400	1530	1700
1500	1500	1630	1800

Aquatic Control Engineering Ltd

www.aquaticcontrol.co.uk
info@aquaticcontrol.co.uk
01777 249 080
V1.1

Aquatic Control Engineering have been market leaders of innovative water flow control for 20 years. Using high spec HDPE products from KWT in Holland, we are proud to supply our customers with high quality innovative solutions and high standard installation services.