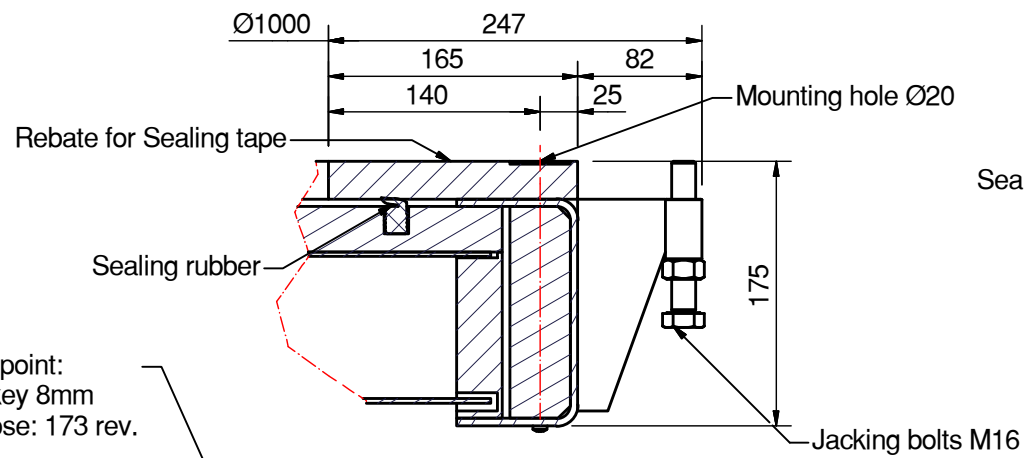
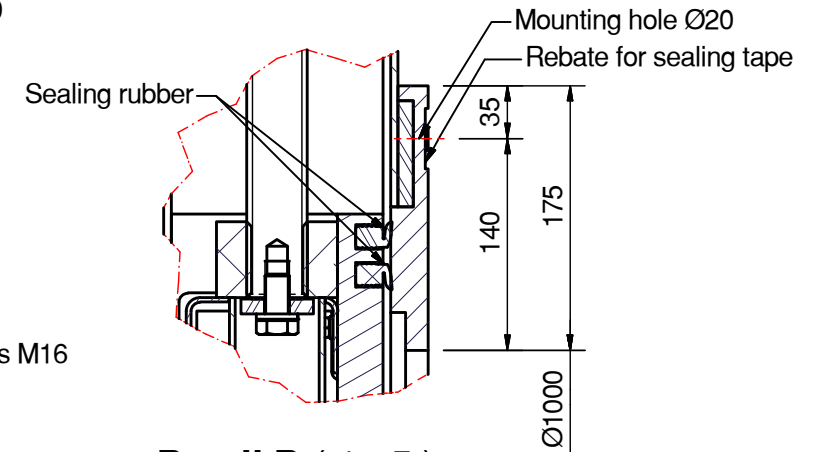


Section B-B



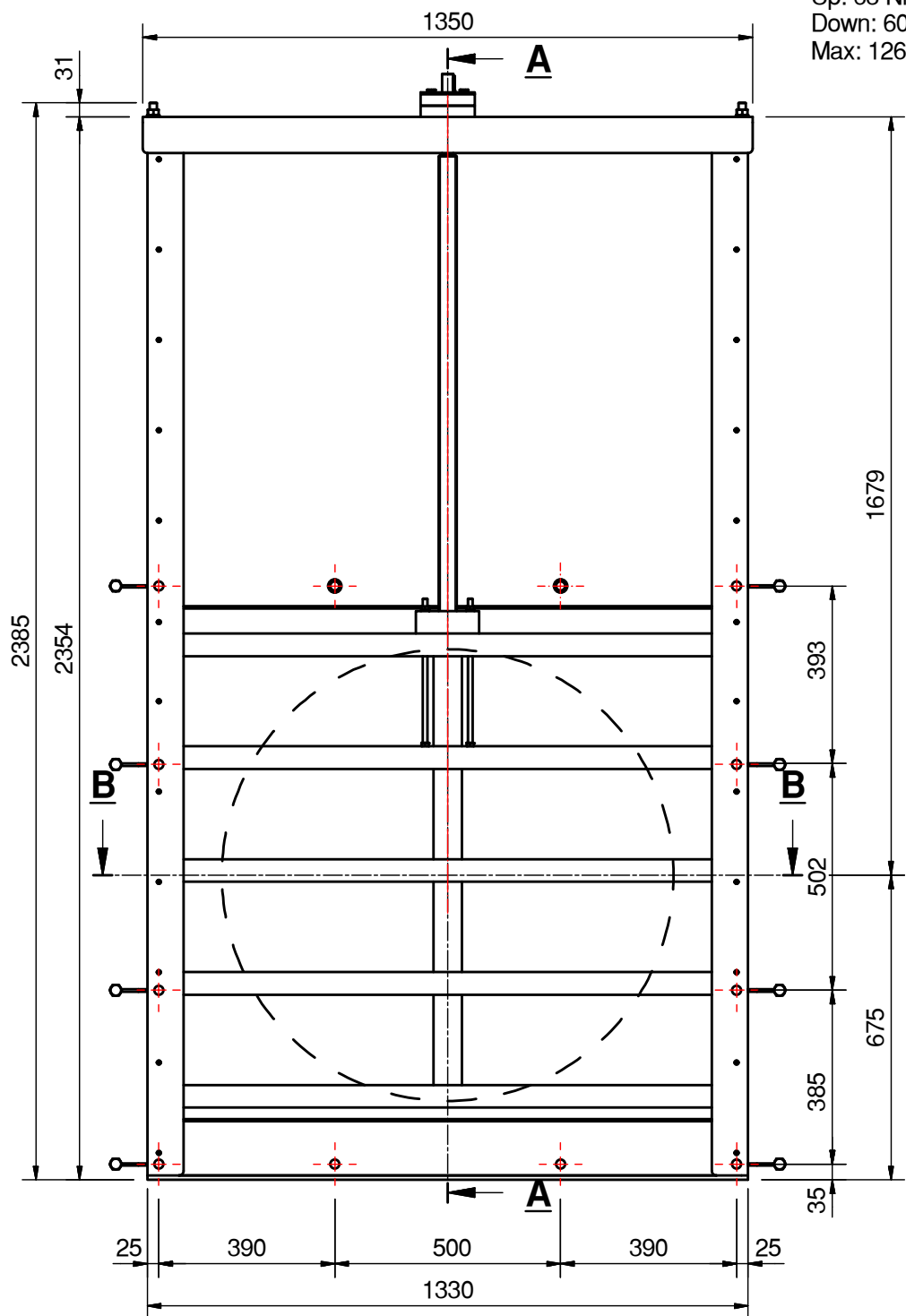
Detail E (1:5)



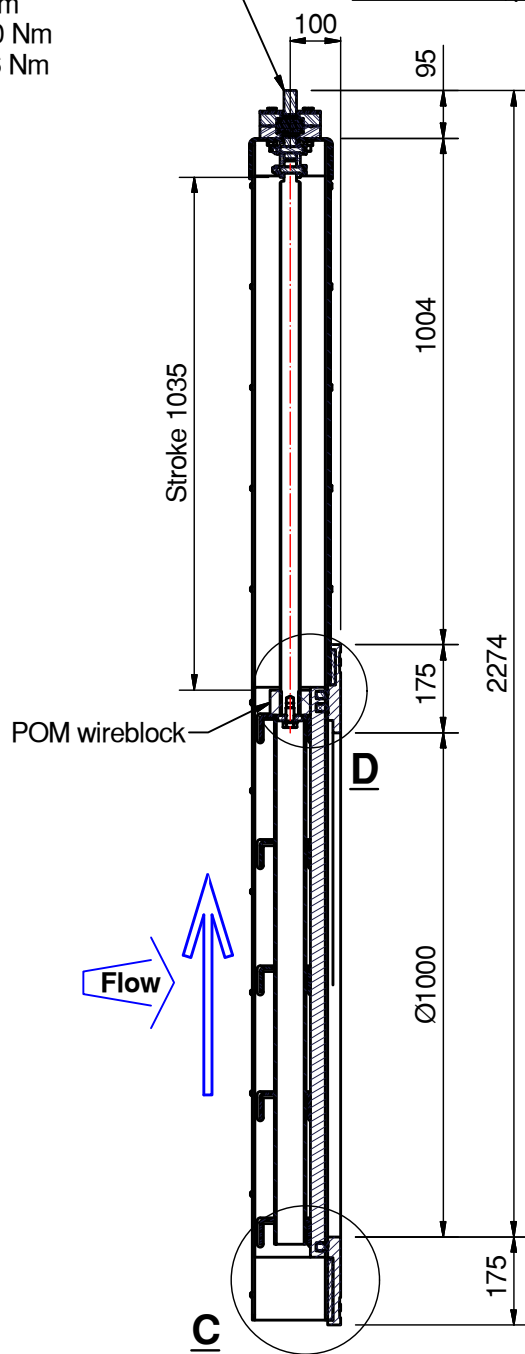
Detail D (1:5)

Operation point:
Ø25 with key 8mm
Open / Close: 173 rev.

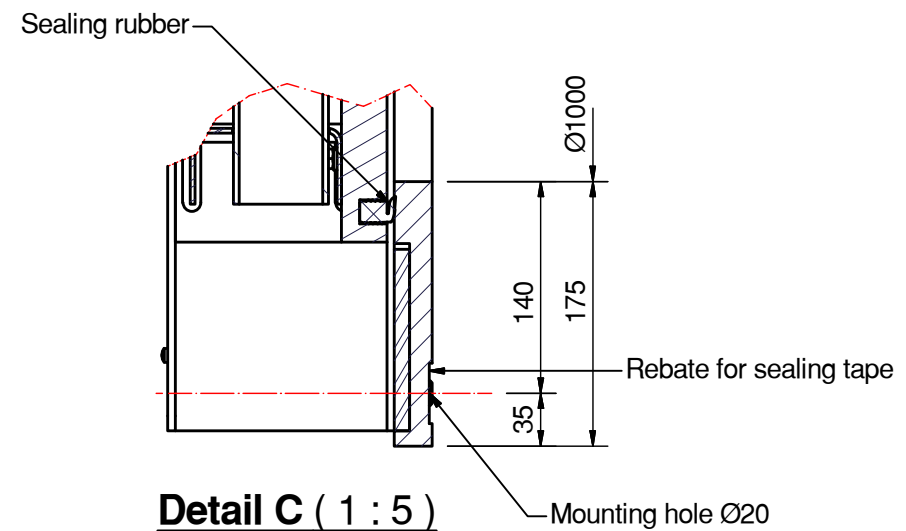
Operation Torque:
Up: 63 Nm
Down: 60 Nm
Max: 126 Nm



Front view (1:15)

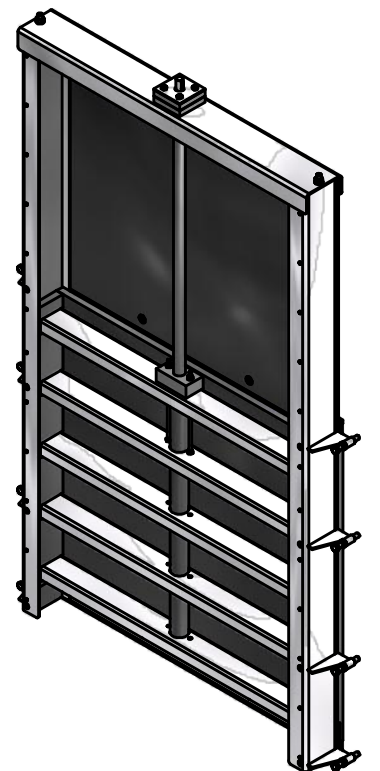


Section A-A



Detail C (1:5)

- Material ;
- All steel components are AISI 316 (L), unless otherwise mentioned.
 - All fasteners are AISI 316 (A4).
 - All synthetic components are HDPE, unless otherwise mentioned.
 - EPDM sealingrubber and MS-polymer sealant.
- All concrete mounting surfaces should have a flatnesstolerance of maximum 2-3 mm per meter of sealing.



| | |
|-----------------|-----------------------------------|
| Company | KWT Waterbeheersing B.V. |
| Project company | KWT Penstock |
| Project KWT | KWT Penstock type KSA-MD-R-O 1000 |
| Description | KSA-MD-R-O 1000 , 5 mwC |

Wentelploeg 42
 8256 SN Biddinghuizen
 The Netherlands
 Tel. : +31 (0)321 33 55 66
 Fax : +31 (0)321 33 55 76
 E-mail : info@kwtgroup.nl
 Internet : http://www.kwtgroup.nl

Member of BERGSCHENHOEK GROEP

The design and technical information appearing on this drawing is the property of KWT Holding and is disclosed in confidence. It is not to be copied, reproduced, revealed, to or appropriated by others, either in whole or in part, without prior access written consent from KWT Holding.

| | | | |
|------------------------|-------|-----------|-----------|
| Released | | | |
| Designed by | RD | Date | 22-6-2012 |
| Revisionstatus Model : | 0 | Drawing : | 0 |
| Sheet / size | 1 / 1 | A3 | 232 kg |
| Projection | | | |
| Drawing nr. | | | |

211Z1000

Measurements in mm. All changing reserved