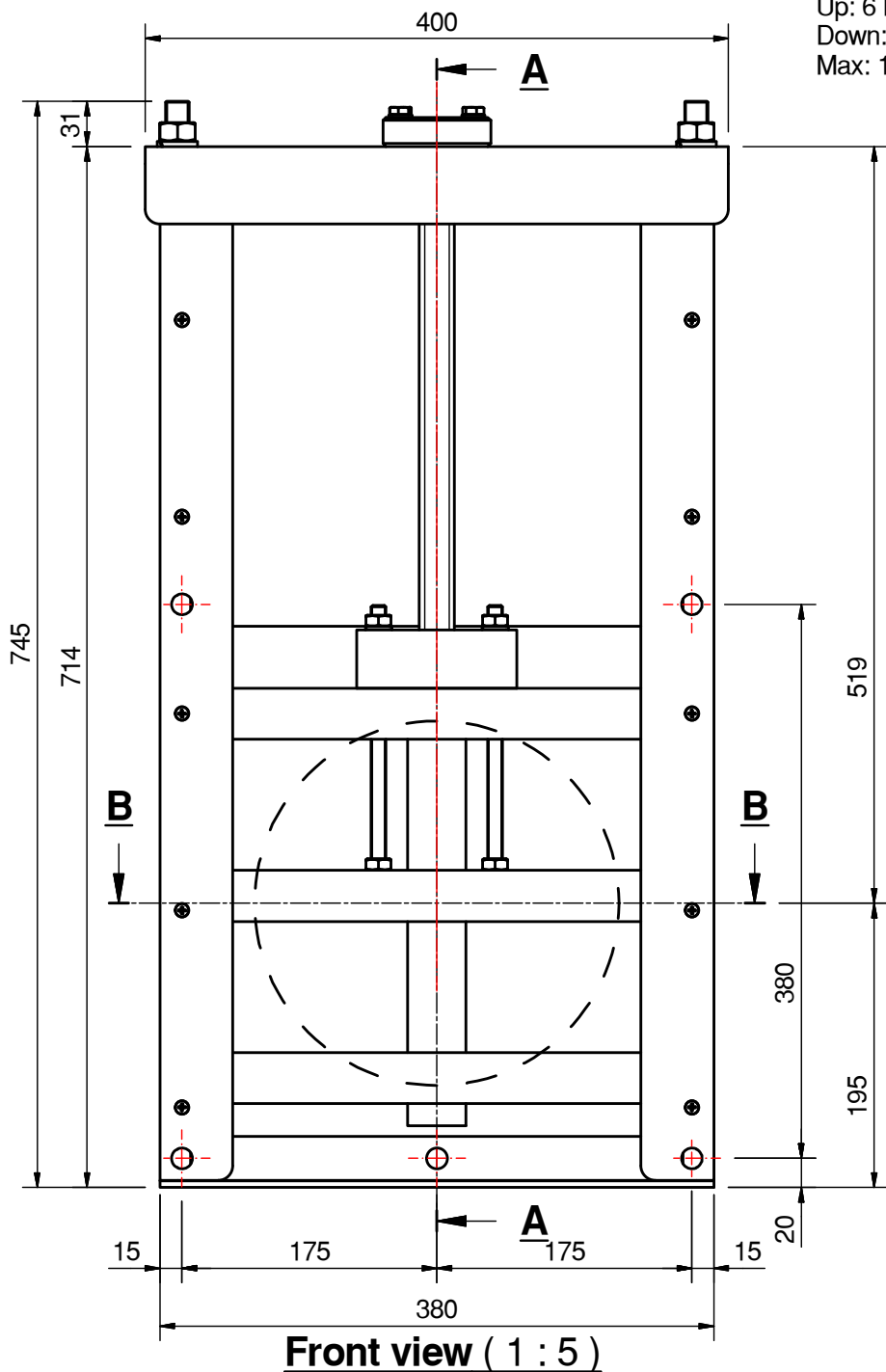


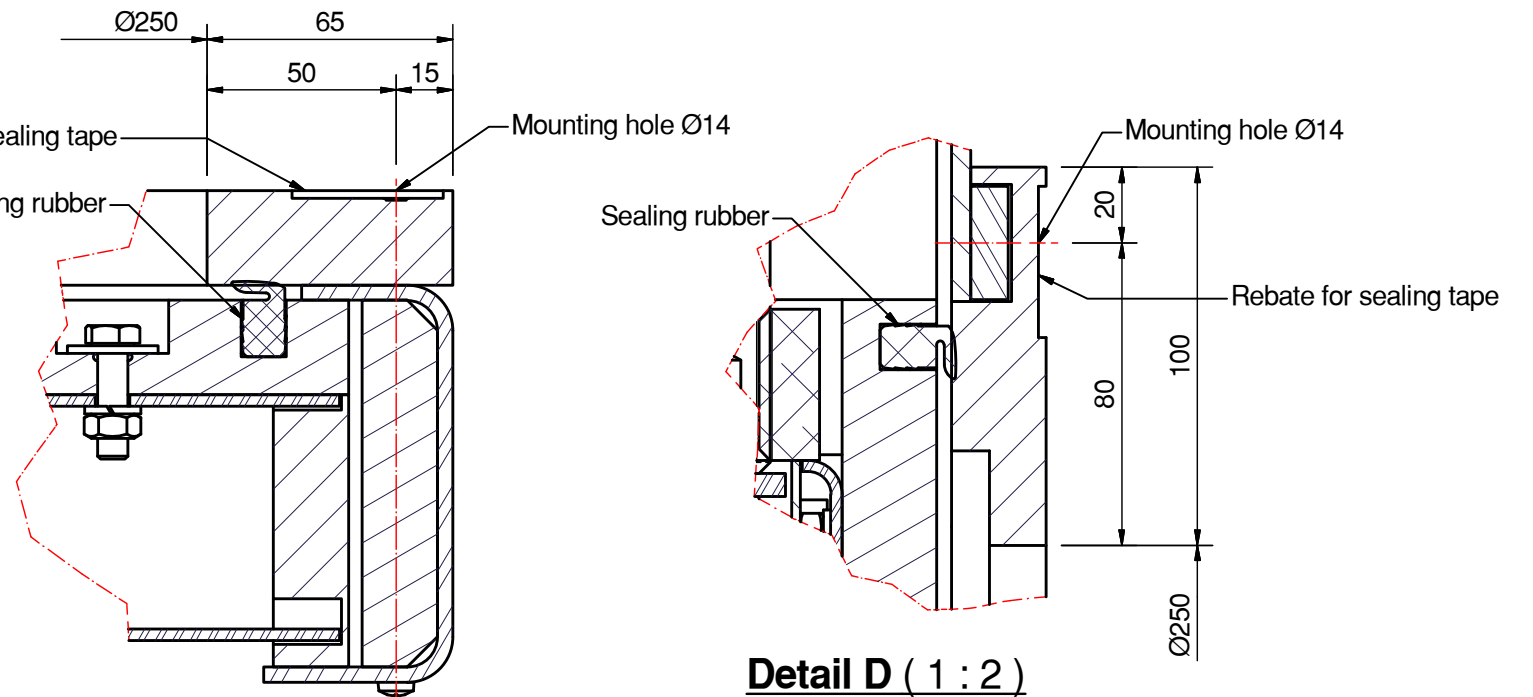
Section B-B

Operation point:
KWT (half moon)
Open / Close: 47 rev.

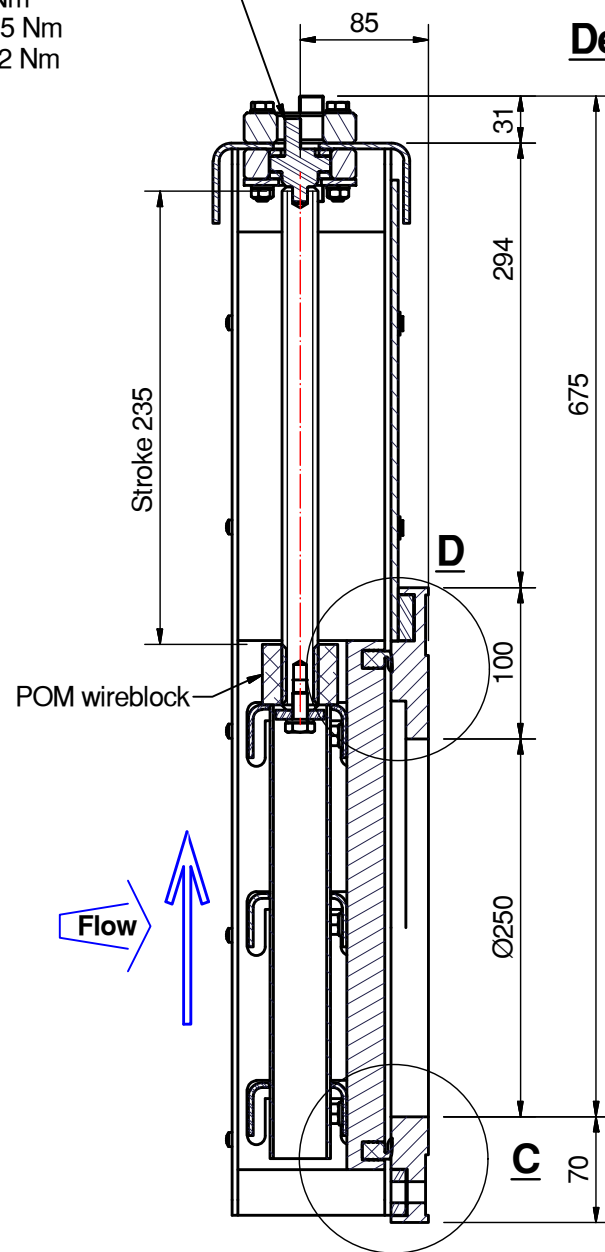
Operation Torque:
Up: 6 Nm
Down: 5 Nm
Max: 12 Nm



Front view (1 : 5)

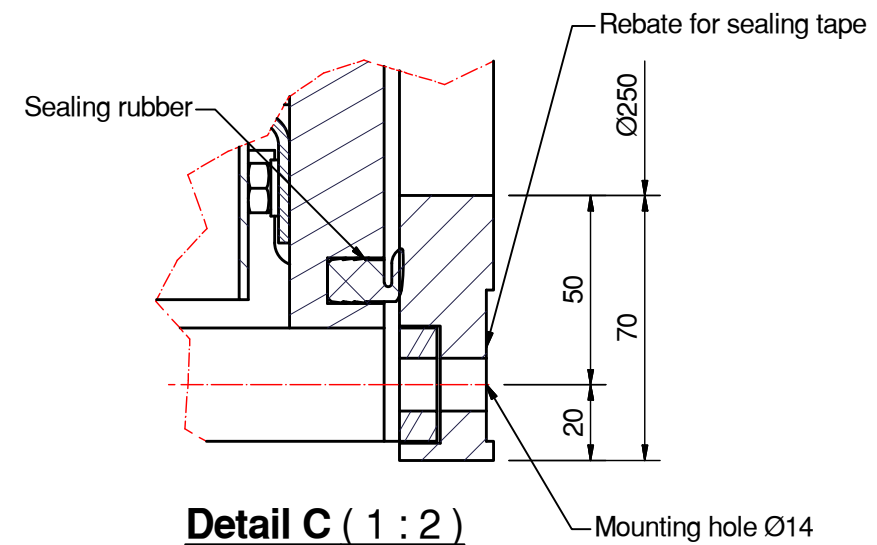


Detail D (1 : 2)

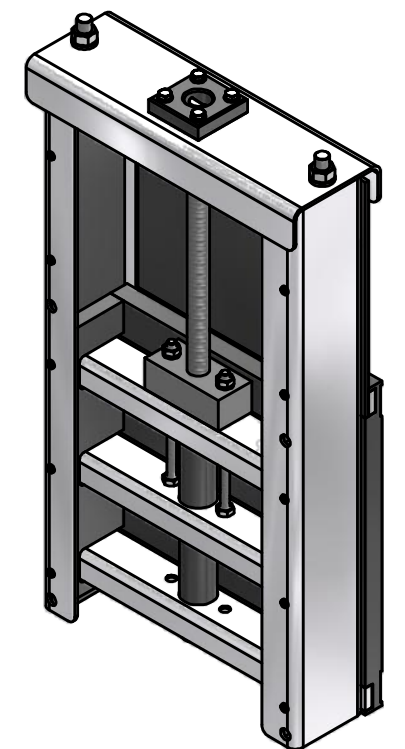


Section A-A

Detail E (1 : 2)



Detail C (1 : 2)



- Material ;
- All steel components are AISI 316 (L), unless otherwise mentioned.
 - All fasteners are AISI 316 (A4).
 - All synthetic components are HDPE, unless otherwise mentioned.
 - EPDM sealingrubber and MS-polymer sealant.
- All concrete mounting surfaces should have a flatnesstolerance of maximum 2-3 mm per meter of sealing.

Company	KWT Waterbeheersing B.V.	The design and technical information appearing on this drawing is the property of KWT Holding and is disclosed in confidence. It is not to be copied, reproduced, revealed, to or appropriated by others, either in whole or in part, without prior access written consent from KWT Holding.
Project company	KWT Penstock	
Project KWT	KWT Penstock type KSA-MD-R-O 250	
Description	KSA-MD-R-O 0250 , 5 mwC	
		Released Designed by RD Date 31-5-2012 Revisionstatus Model : 0 Drawing : 0 Sheet / size 1 / 1 A3 27 kg Projection Drawing nr. 211Z0250
		Member of BERGSCHENHOEK GROEP Measurements in mm. All changing reserved