



Windmill Pumps

EFFICIENT | SUSTAINABLE | HIGH CAPACITY



EFFICIENT – economically attractive alternative to electrically powered pumps. High output efficiencies in an easy to install design.

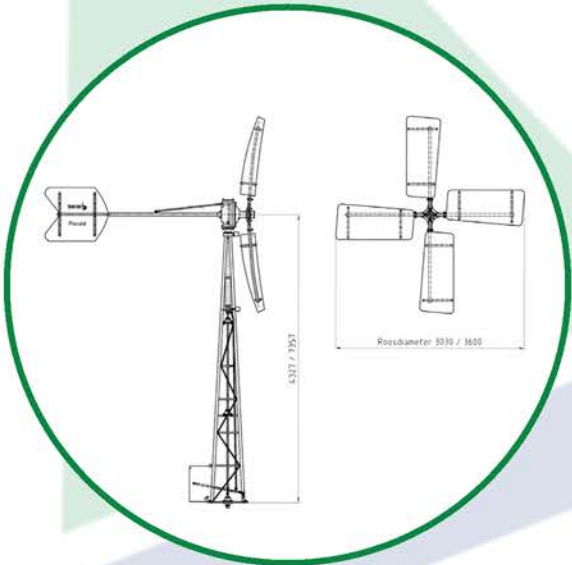
SUSTAINABLE – environmentally friendly construction and installation, an ecological wind-based solution to pumping water.

HIGH CAPACITY – ideal for pumping large capacities of water at low lifts and require wind velocities of only 3m/s.

BUILT TO LAST – Design life of 25 years+ and some examples operational for over 40 years.



These brilliant wind pumps have been manufactured by our Netherlands based partners since 1929; now on their fourth generation design and offering high output efficiencies in sleek, easy to install modular designs. The wind pumps can pump large quantities of water for drainage, irrigation or water level control.



ACE windmill pumps are available at two different heights (up to 7m) and a range of pre-cast foundations which are recommended to you by our engineers. We have a close working relationship with our manufacturer for bespoke design development to suit your requirements.

Contents are accurate at the time of production, however are for illustration only. For critical technical information, please contact ACE for assistance.

Aquatic Control Engineering Ltd

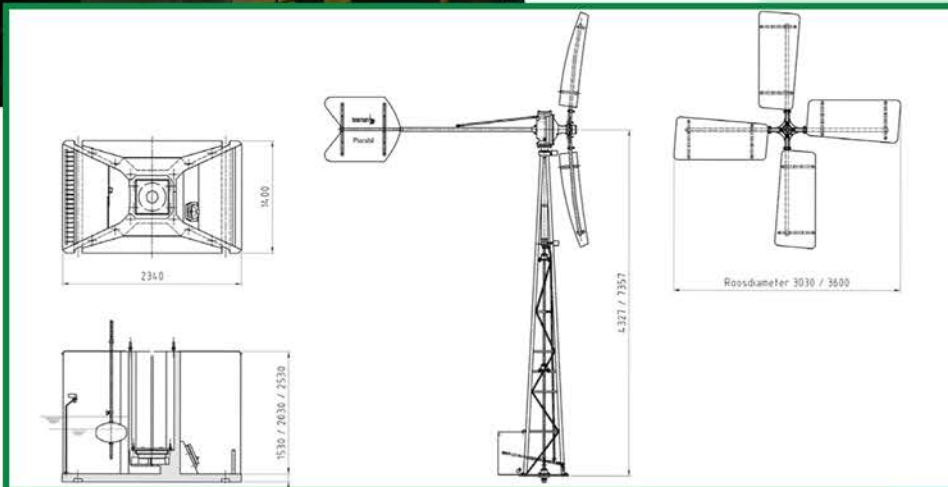
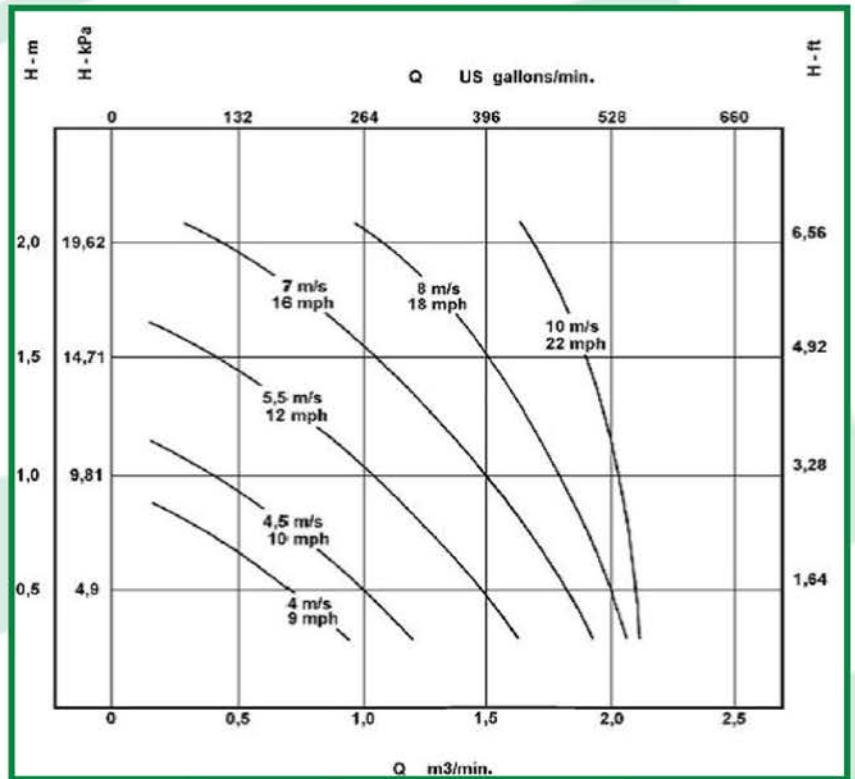
www.aquaticcontrol.co.uk
info@aquaticcontrol.co.uk
01777 249 080
V1.2.

Aquatic Control Engineering are market leaders of innovative water flow control, maintenance and fish passage equipment. We are proud to supply our customers with high quality, innovative solutions and high standard installation services for over 20 years.



Windmill Pumps

EFFICIENT | SUSTAINABLE | HIGH CAPACITY



Product benefits Overview:

- Long operational life
- Simple modular construction
- Prefabricated concrete foundation
- Automatic adjustable level control
- No electricity bills
- Lightweight with backflow prevention
- Environmentally friendly construction
- Fish friendlier options available

Aquatic Control Engineering Ltd

www.aquaticcontrol.co.uk
 info@aquaticcontrol.co.uk
 01777 249 080
 V1.2.

Aquatic Control Engineering have been market leaders in innovative water flow control for 20 years. Using high spec products from our suppliers in Holland, we are proud to supply our customers with high quality innovative solutions.