



# Tilting Weirs (KKS)

STRONG | ACCURATE | MAINTENANCE FREE

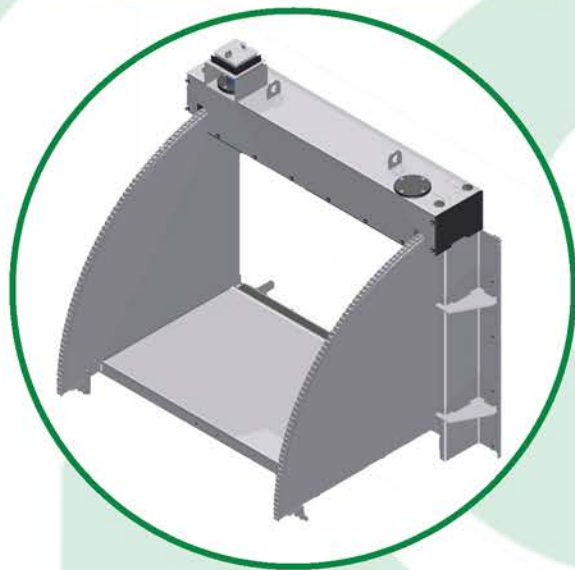


**STRONG** – made with stainless steel cheeks for larger and more demanding applications.

**ACCURATE** – level control for surface water either manually, electrically or automatically with a CB Greenbox.

**MAINTENANCE FREE** – safe and easy to install, extremely reliable and robust once installed.

**SPECIAL REQUIREMENTS** – a range of sizes and designs available. Bespoke tilting weirs can also be developed to suit unique requirements.



KWT weirs provide an accurate means of controlling water levels for flood alleviation and process water systems. They are ideal for keeping water in conservation areas, land drainage ditches and smaller water courses. The KKS can also be used as a safer alternative to weir boards. There is also a beamless option available for specialist applications.

Available in various sizes, KKS tilting weirs are manufactured using stainless steel cheeks for larger, more demanding sites and are able to withstand challenging water courses and head differentials. These weirs can be operated both manually and automatically. Automatic options include solar, battery and mains options.



*Contents are accurate at the time of production, however are for illustration only. For critical technical information, please contact ACE for assistance.*

**Aquatic Control Engineering Ltd**

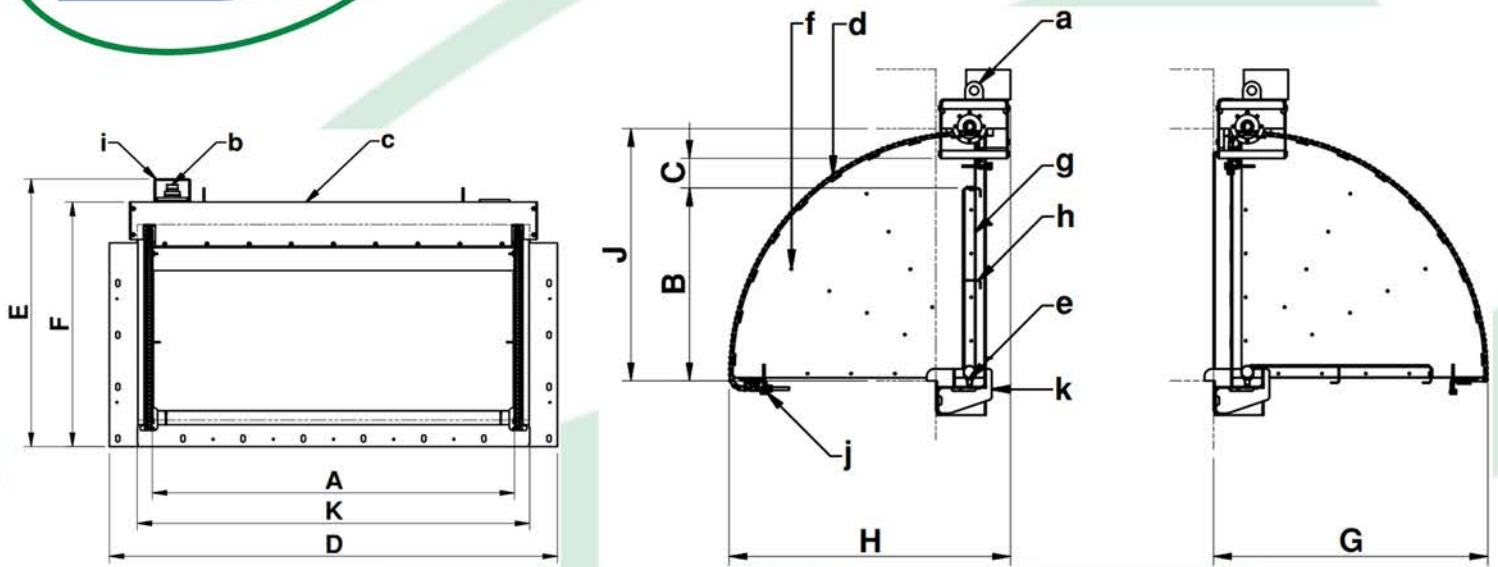
www.aquaticcontrol.co.uk  
info@aquaticcontrol.co.uk  
01777 249 080  
V1.1

**Aquatic Control Engineering** are market leaders of innovative water flow control, maintenance and fish passage equipment. We are proud to supply our customers with high quality, innovative solutions and high standard installation services for over 20 years.



# Tilting Weirs (KKS)

STRONG | ACCURATE | MAINTENANCE FREE



A - Lifting hooks  
B - Half moon connector  
C - Top member  
D - Drive chain

E - Seal  
F - Side cheeks  
G - Moving plate  
H - Reinforcement rib

I - Actuator bracket  
J - Chain tensioner  
K - Frame

## Technical data standard dimensions

↔ X ↑	A	B	C	D	E	F	G	H	J	K			
1000 x 600	1000	600	100	1360	1163	1063	924	948	800	1130	244	30	160
1500 x 600	1500	600	100	1860	1163	1063	924	948	800	1630	244	30	200
2000 x 600	2000	600	100	2360	1163	1063	924	948	800	2130	244	30	235
1000 x 800	1000	800	100	1360	1363	1263	1124	1133	1000	1130	304	30	285
1500 x 800	1500	800	100	1860	1363	1263	1124	1133	1000	1630	304	30	245
2000 x 800	2000	800	100	2360	1363	1263	1124	1133	1000	2130	304	30	285
1000 x 1000	1000	1000	100	1360	1563	1463	1324	1344	1200	1130	364	30	250
1500 x 1000	1500	1000	100	1860	1563	1463	1324	1344	1200	1630	364	30	295
2000 x 1000	2000	1000	100	2360	1563	1463	1324	1344	1200	2130	364	30	340
1000 x 1200	1000	1200	100	1360	1763	1663	1524	1546	1400	1130	424	30	300
1500 x 1200	1500	1200	100	1860	1763	1663	1524	1546	1400	1630	424	30	350
2000 x 1200	2000	1200	100	2360	1763	1663	1524	1546	1400	2130	424	30	405

## Aquatic Control Engineering Ltd

www.aquaticcontrol.co.uk  
info@aquaticcontrol.co.uk  
01777 249 080  
V1.1

Aquatic Control Engineering have been market leaders in innovative water flow control for 20 years. Using high spec HDPE products from KWT in Holland, we are proud to supply our customers with high quality innovative solutions and high standard installation services.