

Wastop Check Valve Technical specification PVC Series

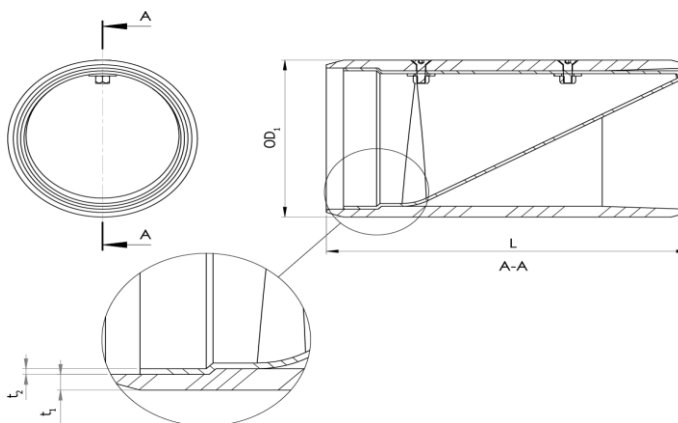
Art. No: WS110PVC-45 / WS110PVC-55 / WS110PVC-65

Nominal size: DN 110

NPS: 4"

Overall measurements:

| | | |
|-------------------|------------------|---------------------|
| OD ₁ : | 110 mm | 4,33" |
| OD ₂ : | N/A | N/A |
| OD ₃ : | N/A | N/A |
| Ovality: | ± 1.5 mm | ± 0.06" |
| L: | 210 mm | 8,27" |
| t ₁ : | 6 mm | 0,22" |
| t ₂ : | 2 mm | 0,08" |
| Weight: | 1 kg | 2 lbs |
| Box Volume: | 0 m ³ | 0,1 ft ³ |



Material:

Pipe: PVC

Membrane: Silicone

Fasteners: Acid proof stainless steel

| Technical data: | WS110PVC-45 | | WS110PVC-55 | | WS110PVC-65 | |
|---------------------------|------------------------|-----------------------|------------------------|------------------------|------------------------|------------------------|
| Max. back pressure: | 3 mH ₂ O | 9,8' H ₂ O | 5 mH ₂ O | 16,4' H ₂ O | 8 mH ₂ O | 26,2' H ₂ O |
| *Static opening pressure: | 155 mmH ₂ O | 6,1" H ₂ O | 167 mmH ₂ O | 6,6" H ₂ O | 210 mmH ₂ O | 8,3" H ₂ O |
| *Static closing pressure: | 55 mmH ₂ O | 2,2" H ₂ O | 45 mmH ₂ O | 1,8" H ₂ O | 40 mmH ₂ O | 1,6" H ₂ O |

*+/- 15%

- Values measured from bottom of pipe.

- Tests performed at room temperature (16-20°C).

