

Wastop Check Valve Technical specification Stainless steel Series

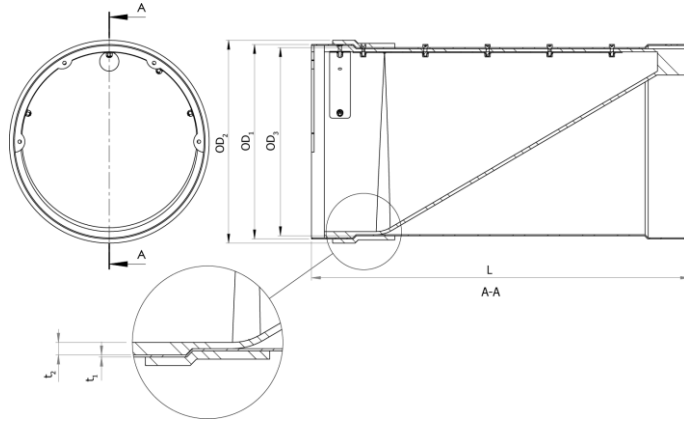
Art. No: WS1185-65-XXX / WS1185-75-XXX / WS1185-85-XXX

Nominal size: DN 1200

NPS: 48"

Overall measurements:

OD ₁ :	1185 mm	46,65"
OD ₂ :	1215 mm	47,83"
OD ₃ :	1155 mm	45,47"
Ovality:	± 5mm	± 0,2"
L:	2250 mm	88,58"
t ₁ :	3,0mm	0,12"
t ₂ :	30 mm	1,18"
Weight:	290 kg	639 lbs
Box Volume:	3,16 m ³	111,5 ft ³



Material:

Pipe: Stainless steel

Membrane: Polyurethane

Fasteners: Acid proof stainless steel

Rubber seal: Neoprene

Technical data:	WS1185-65-XXX		WS1185-75-XXX		WS1185-85-XXX	
Max. back pressure:	3 mH ₂ O	9,8' H ₂ O	5 mH ₂ O	16,4' H ₂ O	8 mH ₂ O	26,2' H ₂ O
*Static opening pressure:	490 mmH ₂ O	19,3" H ₂ O	540 mmH ₂ O	21,3" H ₂ O	580 mmH ₂ O	22,8" H ₂ O
*Static closing pressure:	320 mmH ₂ O	12,6" H ₂ O	340 mmH ₂ O	13,4" H ₂ O	350 mmH ₂ O	13,8" H ₂ O

*+/- 15%

- Values measured from bottom of pipe.
- Test performed at room temperature (16-20°C)
- Flange is recommended on this size.

