

Wastop Check Valve Technical specification PVC Series

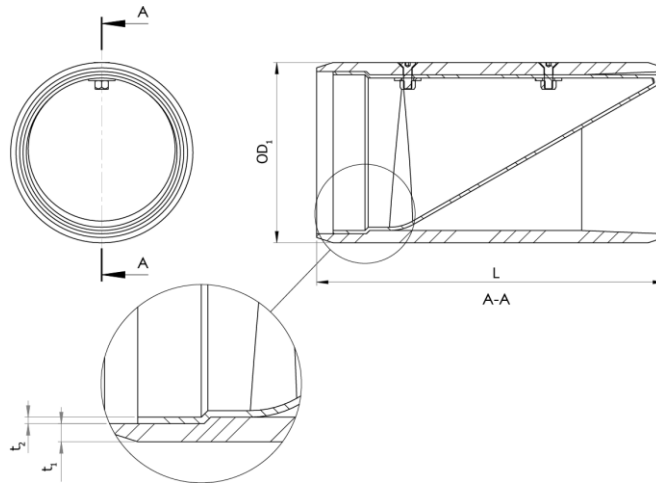
Art. No: WS125PVC-45 / WS125PVC-55 / WS125PVC-65

Nominal size: DN 125

NPS: 5"

Overall measurements:

OD ₁ :	125 mm	4,92"
OD ₂ :	N/A	N/A
OD ₃ :	N/A	N/A
Ovality:	± 1.5 mm	± 0.06"
L:	210 mm	8,27"
t ₁ :	5 mm	0,18"
t ₂ :	3 mm	0,10"
Weight:	1 kg	3 lbs
Box Volume:	0 m ³	0,1 ft ³



Material:

Pipe: PVC

Membrane: Silicone

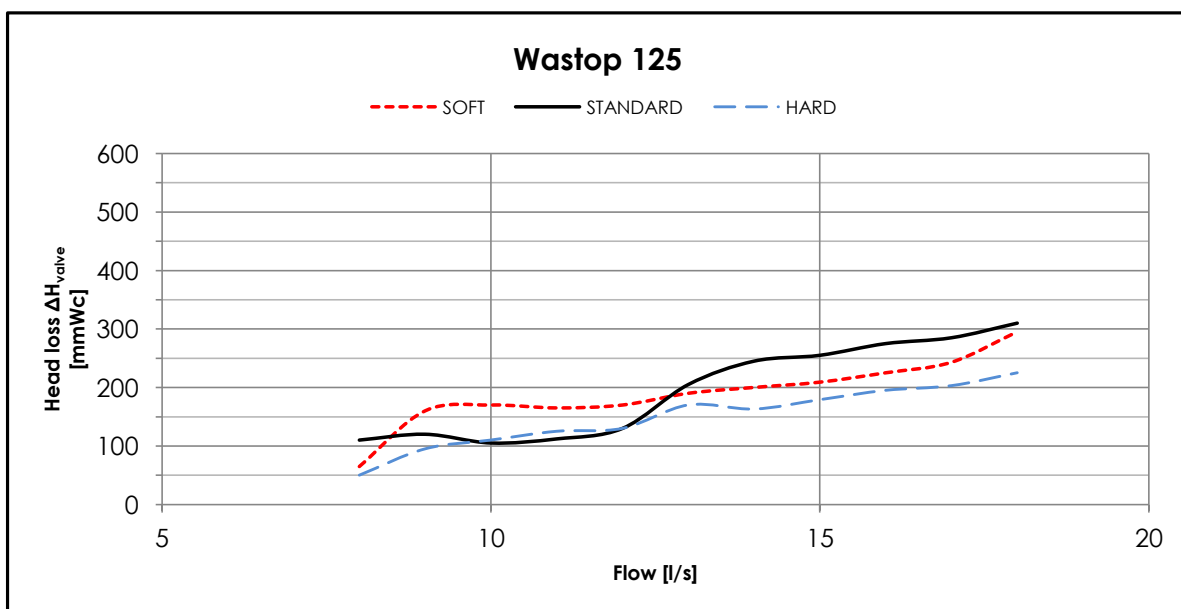
Fasteners: Acid proof stainless steel

Technical data:	WS125PVC-45		WS125PVC-55		WS125PVC-65	
Max. back pressure:	3 mH ₂ O	9,8' H ₂ O	5 mH ₂ O	16,4' H ₂ O	8 mH ₂ O	26,2' H ₂ O
*Static opening pressure:	150 mmH ₂ O	5,9" H ₂ O	195 mmH ₂ O	7,7" H ₂ O	220 mmH ₂ O	8,7" H ₂ O
*Static closing pressure:	140 mmH ₂ O	5,5" H ₂ O	60 mmH ₂ O	2,4" H ₂ O	45 mmH ₂ O	1,8" H ₂ O

*+/- 15%

- Values measured from bottom of pipe.

- Tests performed at room temperature (16-20°C).



*Calculated headloss