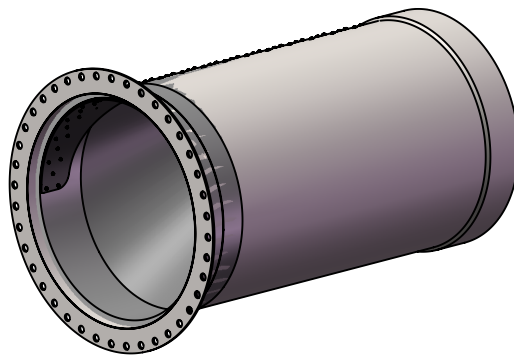
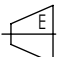




B-B



This document must not be copied without our written permission, and the contents thereof must not be imparted to a third party nor be used for any unauthorized purpose. Contravention will be prosecuted.

Designed By <b>PM</b>	Approved By <b>PM</b>	Created Date <b>2013-11-19</b>	Units <b>[mm]</b>	General Tolerance <b>SS-ISO 2768-1 c</b>	Scale <b>1:50</b>	 	
Material <b>EN 1.4301</b>			Comments <b>WS985-65-304</b>		Project		
Weight [kg] <b>691</b>		Box Volume [m <sup>3</sup> ] <b>10,3</b>	Description <b>WaStop DN1600</b> Flange PN10				
 <a href="http://www.wapro.se">www.wapro.se</a>					Article Number	Rev	Sheet
					<b>WS1585-75-304</b>		<b>1 (1)</b>