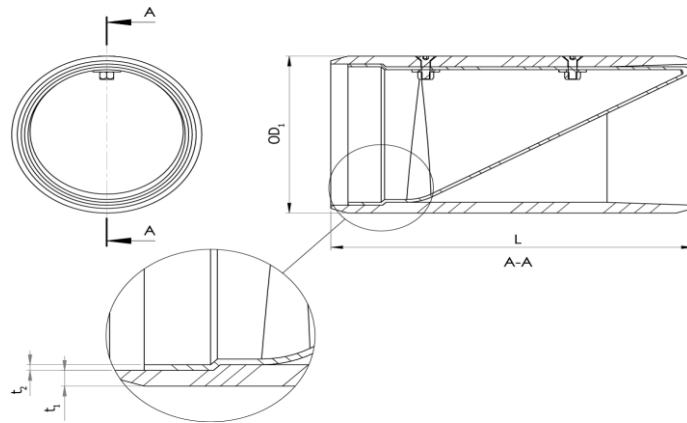


Wastop Check Valve Technical specification PVC Series

Art. No: WS200PVC-45 / WS200PVC-55 / WS200PVC-65
Nominal size: DN 200
NPS: 8"

Overall measurements:

OD ₁ :	200 mm	7,87"
OD ₂ :	N/A	N/A
OD ₃ :	N/A	N/A
Ovality:	± 3mm	± 0.12"
L:	400 mm	15,75"
t ₁ :	5 mm	0,20"
t ₂ :	8 mm	0,31"
Weight:	4 kg	9 lbs
Box Volume:	0,02 m ³	0,6 ft ³



Material:

Pipe: PVC
Membrane: Silicone
Fasteners: Acid proof stainless steel

Technical data:	WS200PVC-45		WS200PVC-55		WS200PVC-65	
Max. back pressure:	3 mH ₂ O	9,8' H ₂ O	5 mH ₂ O	16,4' H ₂ O	8 mH ₂ O	26,2' H ₂ O
*Static opening pressure:	150 mmH ₂ O	5,9" H ₂ O	190 mmH ₂ O	7,5" H ₂ O	270 mmH ₂ O	10,6" H ₂ O
*Static closing pressure:	90 mmH ₂ O	3,5" H ₂ O	100 mmH ₂ O	3,9" H ₂ O	90 mmH ₂ O	3,5" H ₂ O

*+/- 15%

- Values measured from bottom of pipe.

- Tests performed at room temperature (16-20°C).

