

Wastop Check Valve Technical specification PVC Series

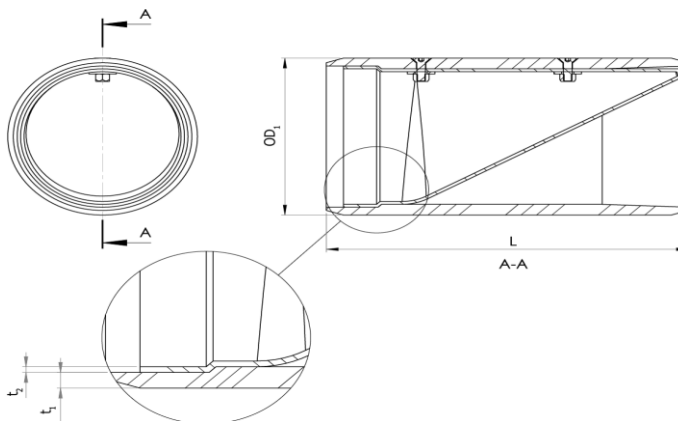
Art. No: WS75PVC-35 / WS75PVC-45 / WS75PVC-55

Nominal size: DN 80

NPS: 3"

Overall measurements:

| | | |
|-------------------|------------------|-------------------|
| OD ₁ : | 75 mm | 2,95" |
| OD ₂ : | N/A | N/A |
| OD ₃ : | N/A | N/A |
| Ovality: | ± 1.5 mm | ± 0.06" |
| L: | 125 mm | 4,92" |
| t ₁ : | 4 mm | 0,16" |
| t ₂ : | 2 mm | 0,08" |
| Weight: | 0 kg | 1 lbs |
| Box Volume: | 0 m ³ | 0 ft ³ |



Material:

Pipe: PVC

Membrane: Silicone

Fasteners: Acid proof stainless steel

| Technical data: | WS75PVC-35 | | WS75PVC-45 | | WS75PVC-55 | |
|---------------------------|------------------------|-----------------------|------------------------|------------------------|------------------------|------------------------|
| Max. back pressure: | 2 mH ₂ O | 6,6' H ₂ O | 5 mH ₂ O | 16,4' H ₂ O | 8 mH ₂ O | 26,2' H ₂ O |
| *Static opening pressure: | N/A mmH ₂ O | N/A H ₂ O | 165 mmH ₂ O | 6,5" H ₂ O | 240 mmH ₂ O | 9,4" H ₂ O |
| *Static closing pressure: | N/A mmH ₂ O | N/A H ₂ O | 55 mmH ₂ O | 2,2" H ₂ O | 95 mmH ₂ O | 3,7" H ₂ O |

*+/- 15%

- Values measured from bottom of pipe.

- Tests performed at room temperature (16-20°C).

