
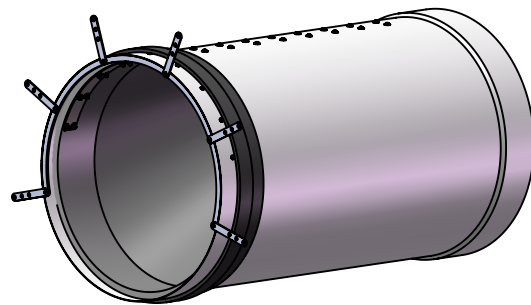
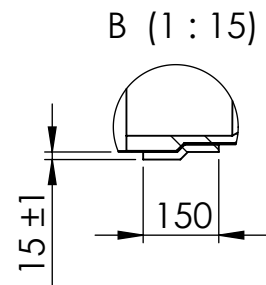
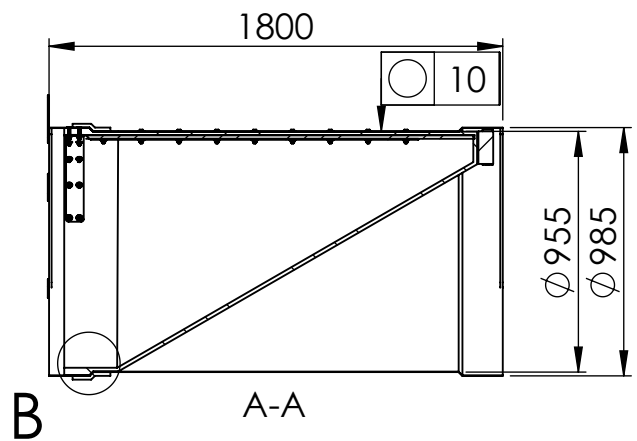
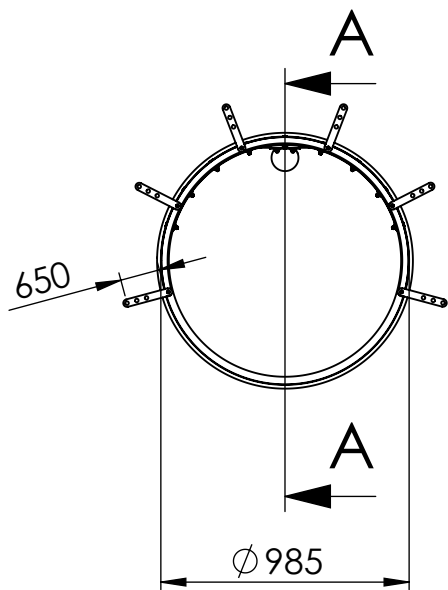


This document must not be copied without our written permission, and the contents thereof must not be imparted to a third party nor be used for any unauthorized purpose. Contravention will be prosecuted.

| | | | | | | |
|---|--------------------------|-----------------------------------|----------------------|---|---------------------------------------|------------------------------|
| Designed By PM | Approved By PM | Created Date 2011-03-07 | Units [mm] | General Tolerance SS-ISO 2768-1 c | Scale 1:20 | |
| Material EN 1.4301 | | | Comments | | Project Number | |
| Weight [kg] 130 | | Box Volume [m³] 1.34 | | Description WaStop DN900 Flat iron and rubber seal | | |
|  www.wapro.se | | | | | Article Number WS885-65-304 | Rev Sheet 1 (1) |



This document must not be copied without our written permission, and the contents thereof must not be imparted to a third party nor be used for any unauthorized purpose. Contravention will be prosecuted.

| | | | | | | |
|--|--------------------------|-----------------------------------|----------------------|--|----------------------|-----------------------|
| Designed By PM | Approved By PM | Created Date 2015-07-02 | Units [mm] | General Tolerance SS-ISO 2768-1 m | Scale 1:30 | |
| Material EN 1.4301 | | | Comments | | Project Number | |
| Weight [kg] 150,4 | | Box Volume [m³] 2,45 | | Description WaStop DN1000 Flange PN10 | | |
| www.wapro.se | | | | Article Number WS985-65-304 | | Rev |
| | | | | | | Sheet 1 (1) |