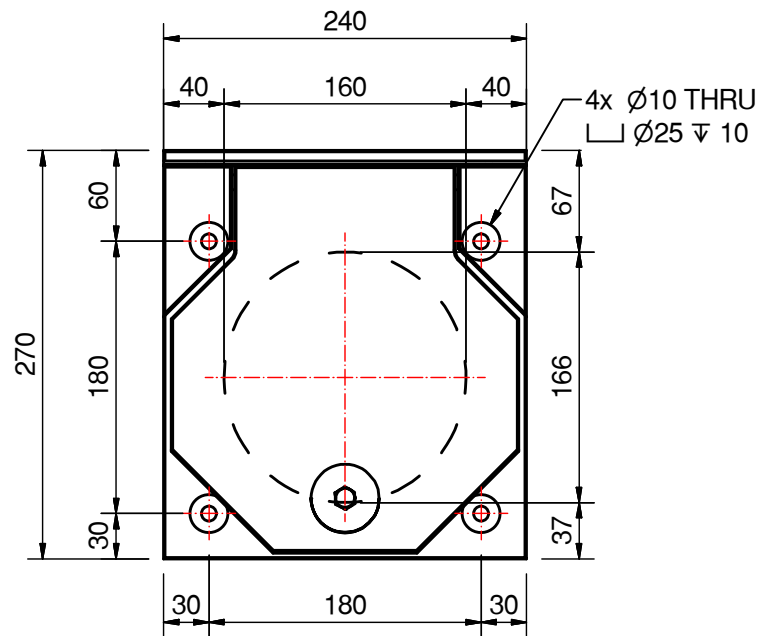
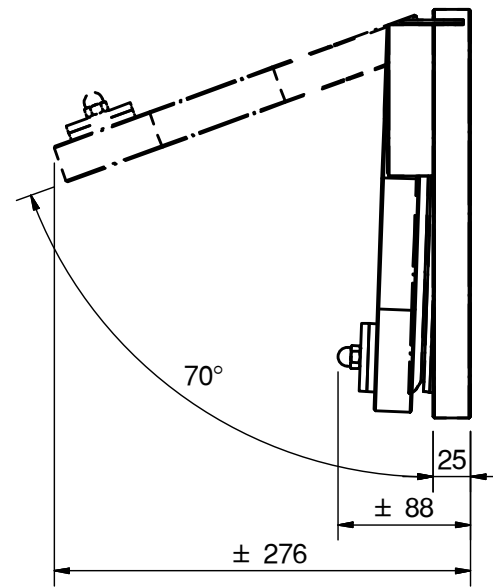


Top view



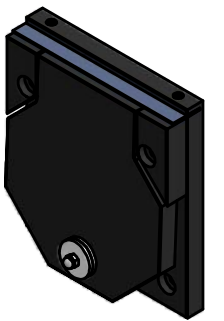
Front view (1 : 5)



Side view

- Material ;

- All steel components are AISI 316 (L), unless otherwise mentioned.
- All fasteners are AISI 316 (A4).
- All synthetic components are HDPE, unless otherwise mentioned.
- EPDM sealingrubber and MS-polymer sealant.



Aquatic Control Engineering

Tel: 01777 249 080
Email: info@aquaticcontrol.co.uk
Web: www.aquaticcontrol.co.uk

The design and technical information appearing on this drawing is the property of KWT Holding and is disclosed in confidence. It is not to be copied, reproduced, revealed, or appropriated by others, either in whole or in part, without prior access written consent from KWT Holding.

Released			
Designed by	MV	Date	31-1-2012
Checked by			
Sheet / size	1 / 1	A3	3 kg
Projection		Revisionstatus :	1
Drawing nr.	101Z0150		

Measurements in mm.

All changing reserved