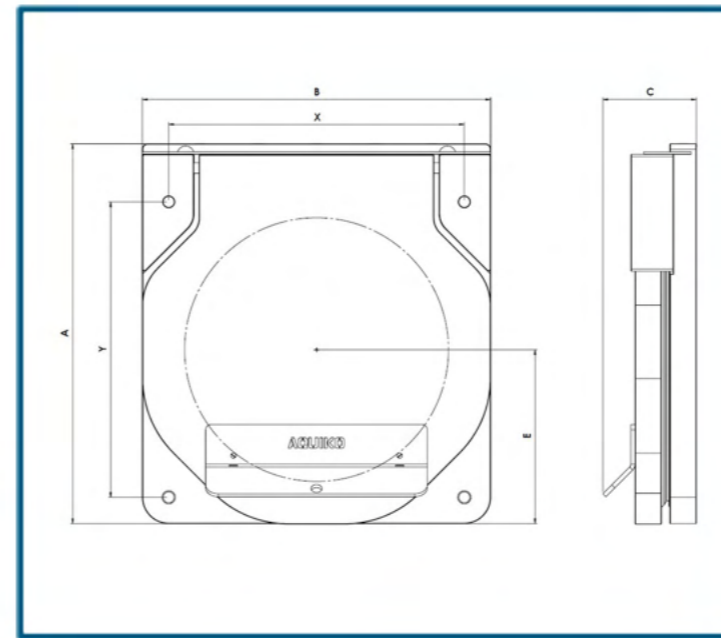


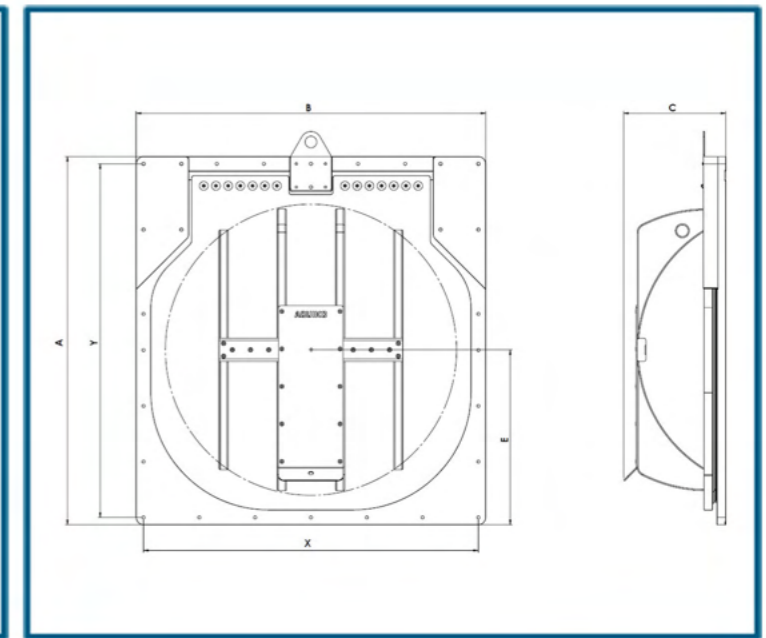
AQUIKO Wall Mounted Flap Valves offer a simple yet effective method of flood prevention. Installed in a variety of conditions to prevent backflow into outlets and minimise risk of flooding. The flap valve comprises of a door (the flap) with a hinge at the top which allows water to pass in one direction but not the other. The flap valve may seem simple, yet to make a simple solution brilliant requires a lot of thought. AQUIKO have given time to the flap valve, making a range in HDPE which is light, to reduce head loss, minimise opening pressures and ease installation. All AQUIKO Wall Mounted Flap Valves come with a minimum 8MwC (for up to 4 days) pressure rating as standard, with bespoke options available should a greater rating be required. With no need for casting in or grouting, you can save hours in installation time, compared with stainless or cast-iron alternatives.



- REDUCE HEAD LOSS
- 8MwC PRESSURE RATING AS STANDARD
- QUICK INSTALLATION



ARF-100mm up to 500mm



ARF-600mm up to 1500mm

Diameter	A	B	C	E	X	Y	Weight (KG.)
100	180	210	80	90	150	150	1.7
150	230	260	80	115	200	200	2.5
200	280	310	80	140	230	230	3.4
250	330	360	90	165	280	280	5.1
300	380	410	90	190	330	330	6.2
400	510	480	105	240	420	420	11.2
500	610	580	105	290	520	520	15
600	865	800	250	400	750	815	42.9
700	965	900	275	450	850	915	54
800	1000	1065	300	500	950	1015	66
900	1100	1165	325	550	1050	1115	75
1000	1200	1265	350	600	1150	1150	93
1100	1300	1365	375	650	1200	1200	109
1200	1400	1465	400	700	1350	1350	125
1400	1600	1665	450	800	1550	1550	163
1500	1700	1765	475	850	1650	1650	184

Flap Valve: ARF-100 up to 1500mm
Materials: SS316, HDPE & EPDM
Pressure: 8MwC for up to 4 days

50 Year
Design
Life



The design process and materials used in the AQUIKO product range ensure that with minimal maintenance the product range has a **design life of 50 years**.

HDPE has the **lowest CO2 footprint** when compared to alternatives currently used for water flow control. HDPE is UV stable meaning little or **no micro plastics** unlike the coating systems on cast iron and steel.



Lightweight design **reduces headloss** and minimises opening pressures providing **efficient drainage**. The light weight design also reduces lifting equipment required for an **efficient install**.



All of our products can be backed up supported by a set of calculations. Giving you peace of mind, **our assets do what we say they will!**

Variations Available on Request



Pipe Mounted Flap Valve



Flange Mounted Flap Valve



Square Flap Valve