

LONG OPERATING LIFE

SELF-CLEANSING FUNCTION

LOW TORQUE - EASY ACTIVATION

The AQUIKO Penstock range has been designed to ensure we can offer a product best suited to our customer specific requirements.

The below table shows the feature of our various penstock products.



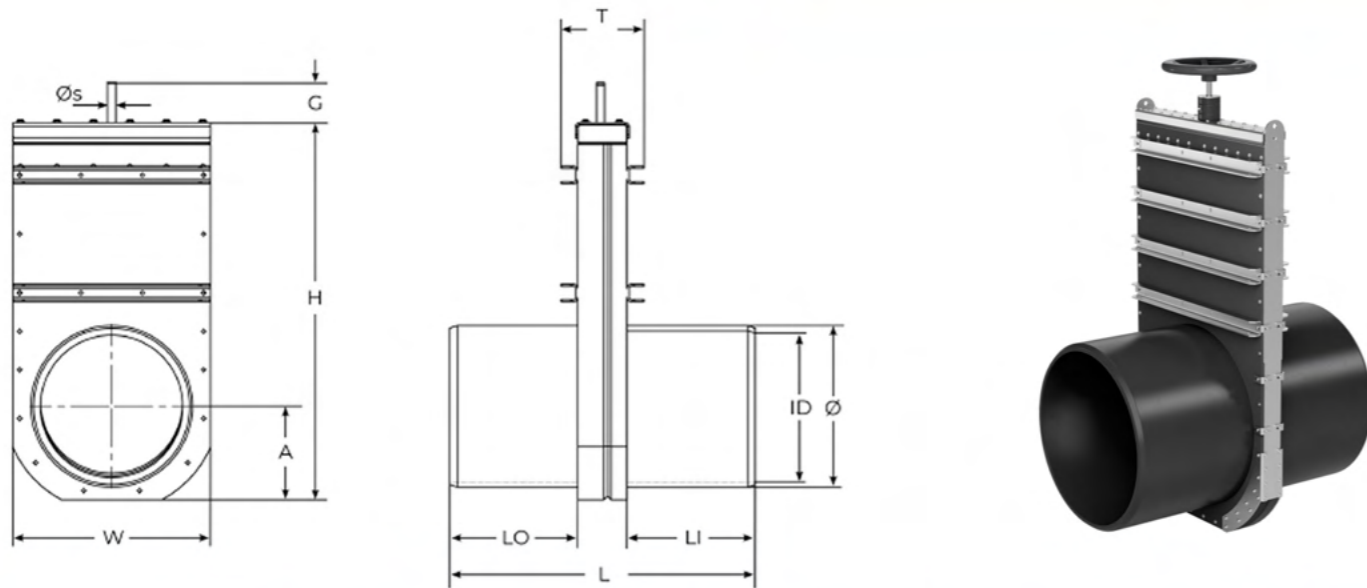
	Wall Mounted	Lightweight	Hand-Stop
Specification			
Head of Water (m)	6	3	1
Operational Against Head	Y	Y	Y
Off Seating	Y	Y	N
On Seating	Y	Y	Y
Max Pipe Diameter (mm)	1500	400	500
Material	HDPE/SS316	HDPE/SS316	HDPE/SS316
Operation			
Movement Mechanism	Non Rising (Rising Optional)	Rising	Rising
Operation Point	33mm Square	33mm Square	Hand
Handwheel Compatible	Y	Y (only with spindle)	N
T-Key Compatible	Y	Y	N
S-Crank Compatible	Y	N	N
Spindle Extension Compatible	Y	Y	N
Actuator Compatible	Y	Only with spindle extension	N
Pedestal Compatible	Y	Y	N

The AQUIKO Inline Penstock is designed with full through-flow and a self-cleansing function for debris to ensure total closing of the valve plate. The top of the valve can be removed for inspections. Lipped O-ring seals to stainless steel plate can be changed in larger valves.

The AQUIKO Inline Penstock series is supplied as two standard ranges: DN100-600 and DN700-1200

Areas of use: surface water, effluent, industrial water and in the fish-farming and agricultural industries.

Variety of actuation options are available ie. manual, electric, pneumatic or hydraulic.



DN	Ø	ID	W	H	A	G	Øs	L	LO	LI	T	kg	bar	Pipe
100	110	96.8	206	382	99	250	16	376	178	198	162	10	4	SDR17
125	125	110.2	220	414	110	250	16	376	178	198	162	11	4	SDR17
150	160	141	250	480	122	250	16	396	188	208	162	14	4	SDR17
200	200	176.2	285	539	138	250	16	396	188	208	162	19	4	SDR17
250	250	220.4	330	636	158	250	16	596	288	308	162	26	4	SDR17
300	315	277.6	386	735	182	250	16	596	288	308	162	37	4	SDR17
400	400	369.4	486	925	228	250	18	796	388	408	164	56	2	SDR23
450	450	415.6	545	1030	259	250	18	796	388	408	164	67	2	SDR23
500	500	461.8	595	1087	273	250	18	796	393	403	218	89	2	SDR23
560	560	517.2	630	1256	330	250	25	996	493	503	228	146	2	SDR23
600	630	581.8	719	1350	342	250	25	1006	498	508	228	148	2	SDR23