

**3MwC PRESSURE RATING**      **SIMPLE OPERATION**

**LIGHTWEIGHT & ROBUST**      **EASY INSTALLATION**

**ANCILLARY PACKAGE AVAILABLE**      **MANUALLY OPERATED**

The AQUIKO Hand Stop is a simple manually operated gate designed to isolate, control, and manage water levels up to 1m deep.

The entire range has been designed for easy lifting operation.

Our Hand Stop range is manufactured in HDPE and Stainless Steel 316, ensuring they are robust and lightweight.

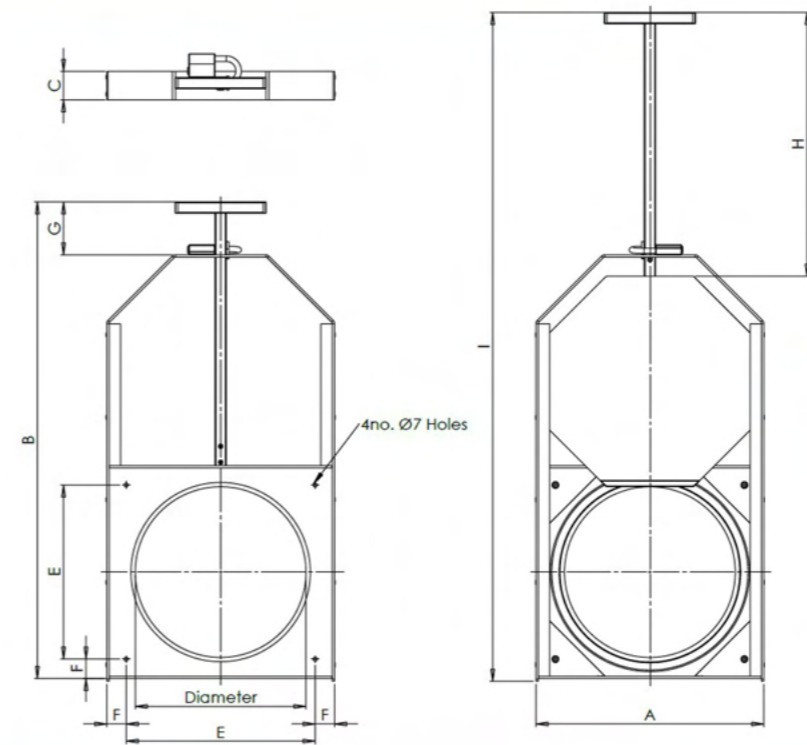
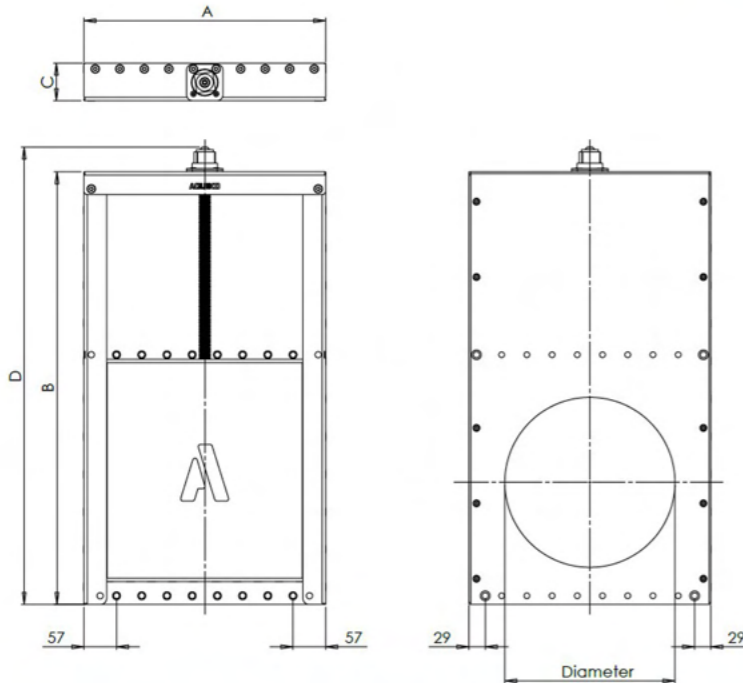
The AQUIKO Hand Stop product sizes range from 100mm to 500mm.

The AQUIKO Lightweight Penstock has been designed and manufactured in the UK using the most cutting-edge techniques. Our penstocks are made from HDPE and stainless steel 316 and have a design life of 50 years.

The AQUIKO Lightweight Penstock range has been designed and engineered with a pressure rating of 3MwC, with leakage rates compliant to BS7775.

Due to the penstocks unique compact design, the narrow frame ensures it fits in even the tightest spaces. The Lightweight range is compatible with the AQUIKO Ancillary product range.

The AQUIKO Lightweight Penstock ranges from 100mm to 400mm and has a rising spindle. Ideal for smaller applications.



Diameter	A	B	C	D	Weight (KG.)
100	226	363	66	406	7
150	276	463	66	506	10
200	326	563	66	606	13
250	376	662.5	66	706.15	16
300	426	763	66	806	19
400	526	963	66	1006	27

Diameter	A	B	C	E	F	G	H	I	Weight (KG.)
100	200	345	50	112	31	93	264	576	4.1
150	250	445	50	156	34	93	314	726	5.6
200	300	545	50	206	34	93	364	876	7.3
250	350	645	50	256	34	93	414	1026	9.2
300	400	745	50	306	34	93	464	1176	11.2
400	500	945	50	406	34	93	564	1476	15.9
500	600	1145	50	506	34	93	664	1776	21.3